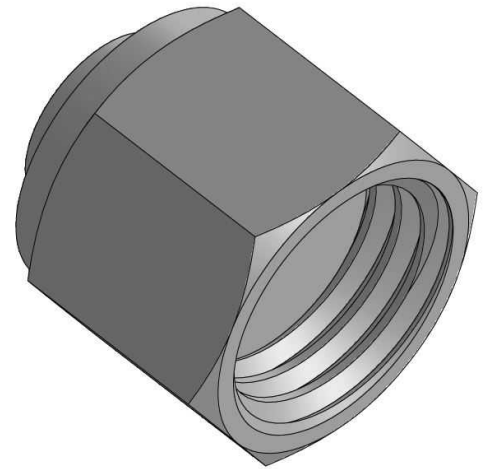
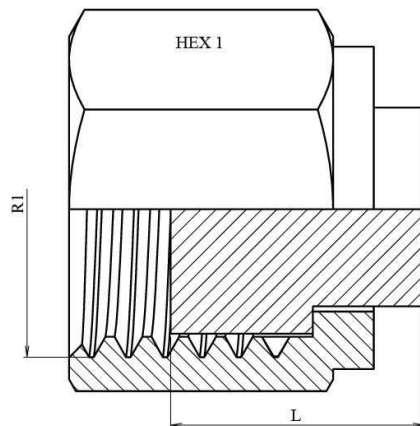


**ORFS Female cap**

Carbon steel



Part n°	R1	L	HEX 1
<b>OR1050400</b>	ORFS 9/16"-18h	12,5	17
<b>OR1050600</b>	ORFS 11/16"-16h	11	22
<b>OR1050800</b>	ORFS 13/16"-16h	14	24
<b>OR1051000</b>	ORFS 1"-14h	12,3	30
<b>OR1051200</b>	ORFS 1"3/16-12h	17	36
<b>OR1051600</b>	ORFS 1"7/16-12h	28,5	41
<b>OR1052000</b>	ORFS 1"11/16-12h	24	50
<b>OR1052400</b>	ORFS 2"-12h	16,5	60

The material can be provided with imperial hexagons